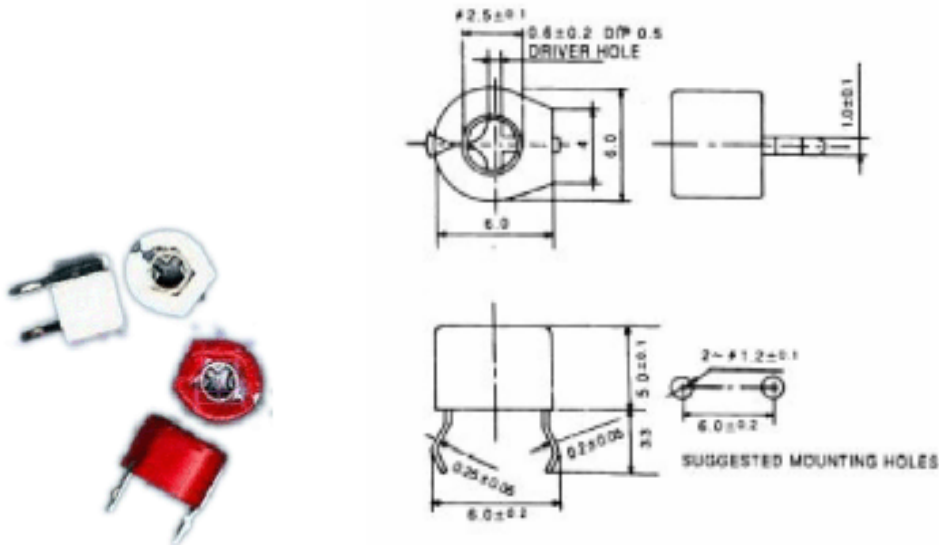


6mm Ceramic Trimmer Capacitors



Specifications

This product apply to radio communication and electronic equipment in make groove road frequency preliminary adjustment use.

Use condition:

Environmental temperature:- 35 + 85
 Relative humidity: + 40 atmosphere power of 98%
 Atmosphere power: The mmH of 650~800

Technical parameter:

Capacitance(pf):
 A.min:2pf max:5pf Blove
 B.min:3pf max:10pf Chalkiness
 C.min:4.2pf max:20pf Gules
 D.min:6.2pf max:30pf Bice
 E.min:6.8pf max:40pf Maize
 F.min:9.8pf max:50pf brown
 G.min:10.2pf max:60pf brown
 Q value: >500
 Insulation resistance: 500M
 proof voltages: 200(V. DC)
 Turn moment: 3~20(mN. m)