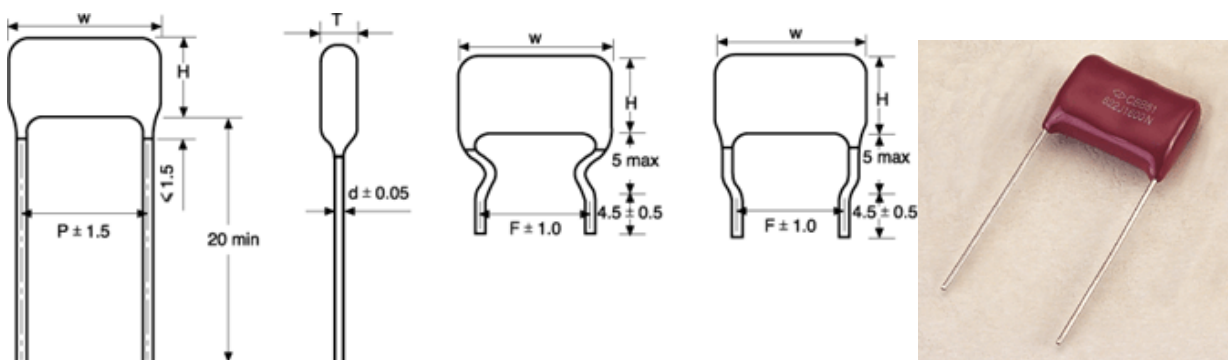


## CBB81 Metallized POLYPROPYLENE FILM CAPACITOR—PPS



### Features:

- Specially designed for horizontal resonance circuits of color TV
- Low loss and small inherent temperature rise
- Negative temperature coefficient of capacitance
- Flame retardant epoxy resin powder coating (UL94/V-0)

Reference Standard	GB10188-88(IEC60384-13)	
Climatic Category	40/85/21	
Rated Voltage	1000V、1200V、1600V、2000V、3000V	
Capacitance Range	0.0010~1.0μF	
Capacitance Tolerance	±5%(J),±10%(K)	
Voltage proof	2.0UR ( 5s )	
Dissipation Factor	0.08%(20 ,10KHz)	
Insulation Resistance	30000MΩ(CR ≤ 0.1μF)	(20 ,1min)
	3000s (CR>0.1μF)	

**CBB81 Metallized POLYPROPYLENE FILM CAPACITOR—PPS**

(uF)	800VDC				1000/1200VDC				1600/2000VDC				100
	Dimensions				Dimensions								
	W	H	T	P	W	H	T	P	W	H	T		
	mm	mm	mm	mm	mm	mm	mm	mm	mm	mm	mm	mm	
0.001	18.5	12	7	15	18.5	12	7	15	18.5	12	7	5.3	
0.0015	18.5	13	7.5	15	18.5	13	7.5	15	18.5	13	7.5	6.4	
0.0018	18.5	13.5	8	15	18.5	13.5	8	15	18.5	13.5	8	6.9	
0.0022	18.5	14	9	15	18.5	14	9	15	18.5	14	9	7.5	
0.0027	18.5	14.5	9.5	15	18.5	14.5	9.5	15	18.5	14.5	9.5	8.1	
0.0033	18.5	15.5	10	15	18.5	15.5	10	15	18.5	15.5	10	8.6	
0.0039	18.5	13.5	8.5	15	18.5	13.5	8.5	15	23	15.5	9	9.4	
0.0047	18.5	14	9	15	18.5	14	9	15	23	16	9.5	10.4	
0.0068	18.5	15.5	10.5	15	23	14.5	8	19	23	16	9	12.2	
0.0082	18.5	16.5	11	15	23	15.5	8.5	19	23	16.5	10	13.3	
0.0084	18.5	16.5	11	15	23	15.5	8.5	19	23	16.5	10	13.5	
0.0091	18.5	17	11.5	15	23	15.5	9	19	23	17	10.5	14	
0.01	18.5	17.5	12	15	23	16	9	19	29	15.5	8.5	14.6	
0.012	18.5	13	8	15	23	16.5	10	19	29	16	9.5	15.7	
0.015	18.5	14	8.5	15	29	15.5	9	25	29	18	9.5	16.8	
0.018	18.5	14.5	9.5	15	29	16.5	9.5	25	29	19	10.5	18	
0.022	18.5	15.5	10	15	29	18.5	10	25	29	20	11.5	19.3	
0.027	18.5	16	11	15	29	19	11	25	31	20.5	12	20.7	
0.033	23	16	9.5	19	29	20.5	12	25	31	21.5	13	22.2	
0.039	23	16.5	10	19									
0.047	23	17.5	11	19									
0.056	23	18.5	11.5	19									
0.068	26	19	11	22									
0.082	26	20	12	22									
0.1	26	21.5	13	22									