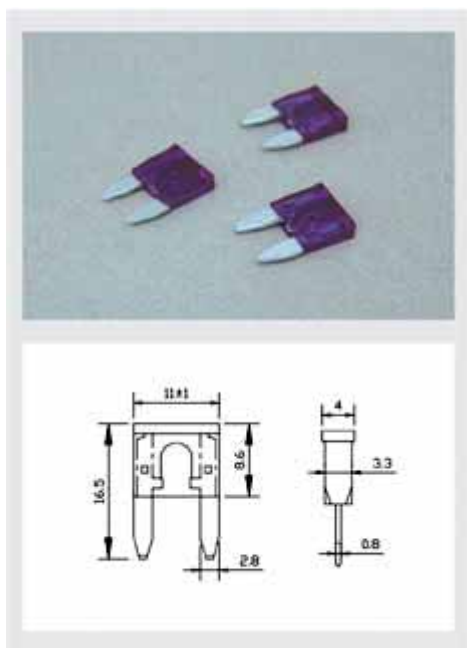


### Auto Fuse Small

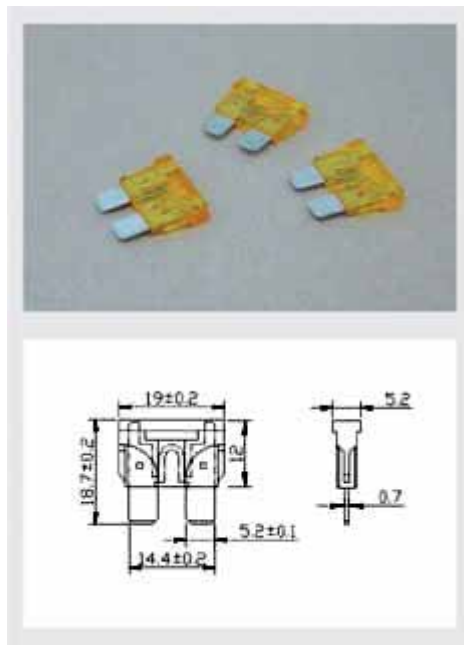


#### Functional Characteristics

Testing current	Blow Time	
	Min	Max
110%	100hours	/
135%	0.75s	1800s
200%	0.15s	5s
350%	0.08s	0.25s

Parts No.	Current Rating (A)	Voltage Rating (V)	Shell Color	Cold Resistance (mΩ)	Min Meltdown Heat Energy t( Sec)
C0003301Z	3	32	Purple	34	9.4
C0004301Z	4	32	Pink	24	17
C0005301Z	5	32	Brown	1.8	25
C7500301Z	7.5	32	Coffee	11	68
C0010301Z	10	32	Red	7.3	93
C0015301Z	15	32	Blue	4.5	270
C0020301Z	20	32	Yellow	3.2	380
C0025301Z	25	32	Natural	2.3	625
C0030301Z	30	32	Green	1.8	1130

### Auto Fuse Medium

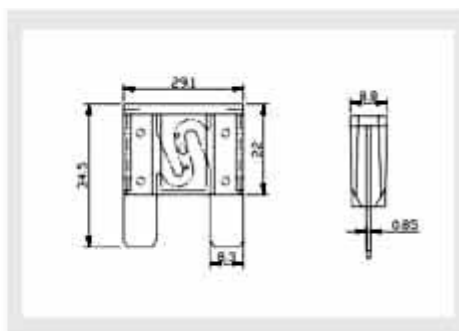
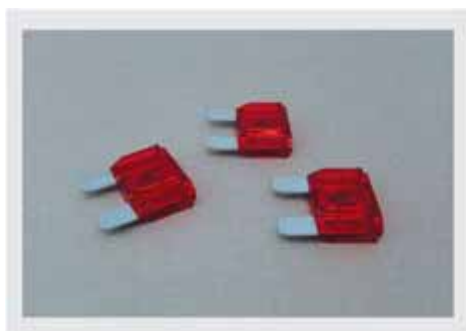


#### Functional Characteristics

Testing current	Blow Time	
	Min	Max
110%	100hours	/
135%	0.75s	1800s
200%	0.15s	5s
350%	0.08s	0.5s

Parts No.	Current Rating (A)	Voltage Rating (V)	Shell Color	Cold Resistance (m Ω)	Min Meltdown Heat Energy t ( Sec)
C0003302Z	3	32	Purple	22	7.4
C0004302Z	4	32	Pink	22	14
C0005302Z	5	32	Brown	18	26
C7500302Z	7.5	32	Coffee	11	60
C0010302Z	10	32	Red	7.5	115
C0015302Z	15	32	Blue	4	340
C0020302Z	20	32	Yellow	3.2	520
C0025302Z	25	32	Natural	2.2	1080
C0030302Z	30	32	Green	1.8	1510
C0035302Z	35	32	Blue Green	1.6	2280
C0040302Z	40	32	Amber	1.2	3310

### Auto Fuse Large



#### Functional Characteristics

Testing current	B low Time Min / Max (Sec.)						
	20A	30A	40A	50A	60A	70A	80A
135%	1800 60	1800 60	1800 60	1800 60	1800 60	1800 60	1800 60
200%	20 4	30 6	40 8	50 10	60 15	60 4	60 4
300%	2 0.7	4 1	5 1.4	6 1.7	7 2	2 0.2	2 0.2

Parts No.	Current Rating (A)	Voltage Rating (V)	Shell Color	Cold Resistance (m Ω)	Min Meltdown Heat Energy t (Sec)
C0020303Z	20	32	Yellow	3.1	1100
C0030303Z	30	32	Green	2	4070
C0040303Z	40	32	Amber	1.4	8450
C0050303Z	50	32	Red	1.1	11300
C0060303Z	60	32	Blue	0.89	15300
C0070303Z	70	32	Brown	0.69	6900
C0080303Z	80	32	Purple	0.59	8800