

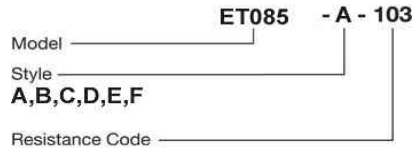
ET085 8mm Carbon Trimming Potentiometer

ELECSOUND®

Features:

Round/ Single-Turn/ Carbon / Open Frame
 Recommend for Reflow Processing
 Vertical or Horizontal
 Supplied in 8mm embossed tape
 Rohs Compliant

How to order:



Standard Resistance Table:

Resistance (Ohms)	Resistance Code
100	101
200	201
500	501
1000	102
2000	202
5000	502
10000	103
20000	203
25000	253
50000	503
100000	104
200000	204
250000	254
500000	504
1000000	105

Electrical Characteristics

Standard Resistance Range: 100Ω - 1MΩ
 Resistance Tolerance: ±30% std.
 Adjustment Angle: 270° ±20°
 Residual Resistance: 5%

Environmental Characteristics

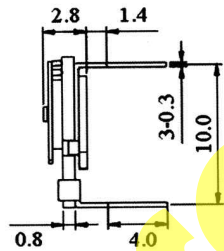
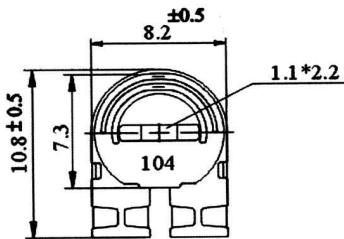
Power Rating:(100V max)0.1W@50°C
 Temperature Range: -10°C to +70°C
 Temperature Coefficient: ±1000ppm/°C
 Rotational Life: 200Cycles, ΔR≤±20%
 Endurance:0.1W@50°C,240H,ΔR≤20%

Physical Characteristics

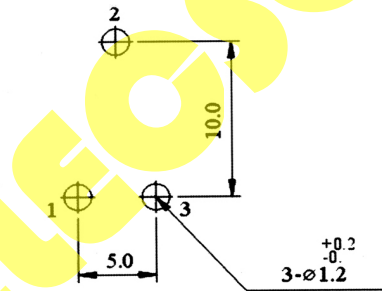
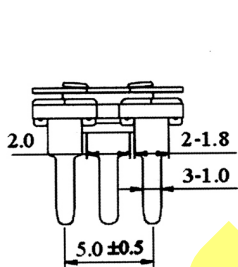
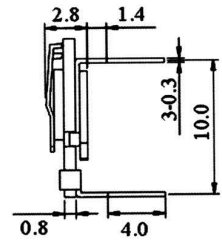
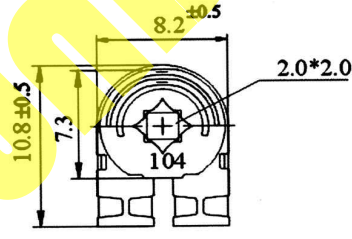
Operating Torque: ≤35mN·m
 Stop Torque: ≥50mN·m
 Soldering conditions: 240-260°C, 3 seconds
 Marking: Resistance code
 Standard Packaging: 500pcs per bag



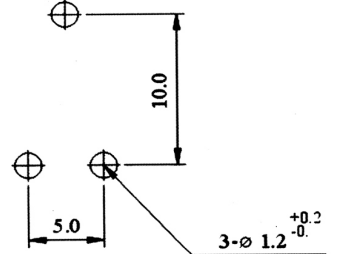
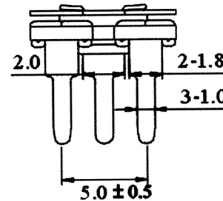
STYLE : ET085-A



STYLE : ET085-B

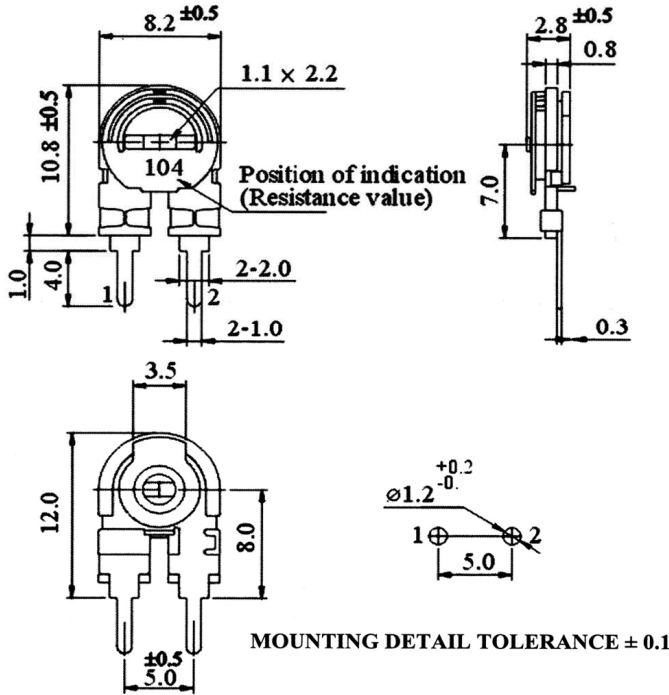


MOUNTING DETAIL TOLERANCE ± 0.1

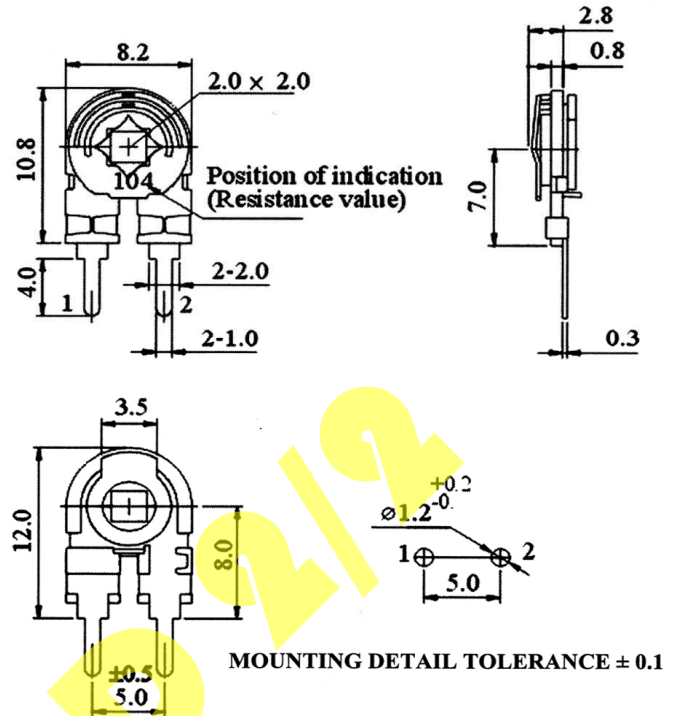


MOUNTING DETAIL TOLERANCE ± 0.1

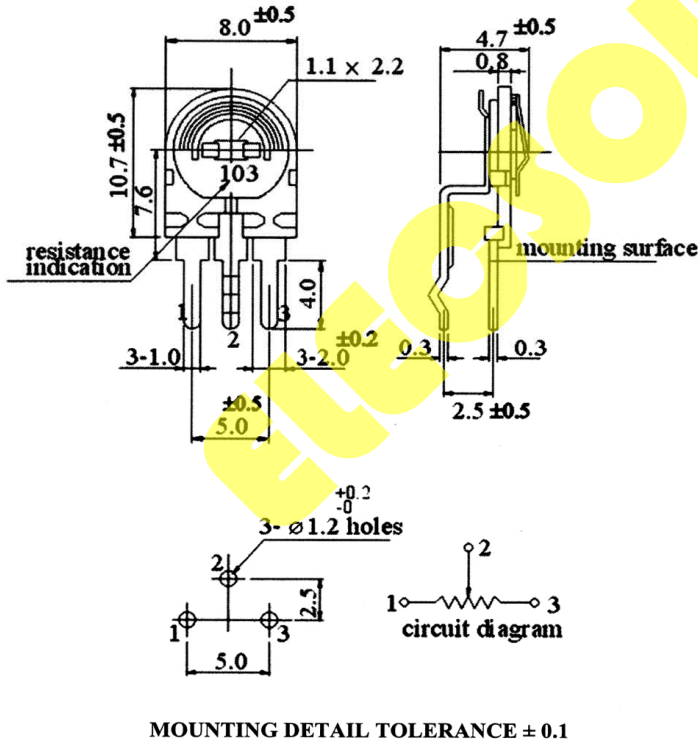
STYLE : ET085-C



STYLE : ET085-D



STYLE : ET085-E



STYLE : ET085-F

