

ET3266 Cermet Trimming Potentiometer



Features:

Square/Multiturn/ Cermet/ Industrial/ Sealed
5 Terminal Styles
Rohs Compliant

Electrical Characteristics

Standard Resistance range: 10Ω - 2MΩ
Resistance Tolerance: ±10% std.
Absolute Minimum Resistance: ≤1% or 2Ω
Contact Resistance Variation: ≤3% or 3Ω
Insulation Resistance : R1≥1,000 MegΩ
Withstand Voltage : 500VAC
Effective Travel: 12 turns normal

Environmental Characteristics

Power Rating:(315V max.)0.25W@70°C, 0W@150°C
Temperature Range: -55°C to +150°C
Temperature Coefficient: ±100ppm/°C
Vibration: 10-500Hz, 0.25mm, 6Hour, ΔR≤±5%
Shock: 390m/s, 4000cycles, ΔR≤±3%
Electrical Endurance:0.5W@70°C,1000H,ΔR≤±3%
Rotational Life: 200Cycles,ΔR≤±3%

How to order:

ET3266 W - 1 - 103

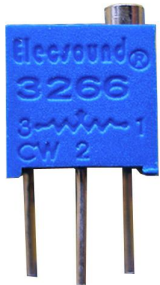
Model _____
Style _____
Standard or Modified _____
Product Indicator _____
-1 = Standard Product
Resistance Code _____

Standard Resistance Table:

Resistance (Ohms)	Resistance Code
10	100
20	200
50	500
100	101
200	201
500	501
1000	102
2000	202
5000	502
10000	103
20000	203
25000	253
50000	503
100000	104
200000	204
250000	254
500000	504
1000000	105
2000000	205

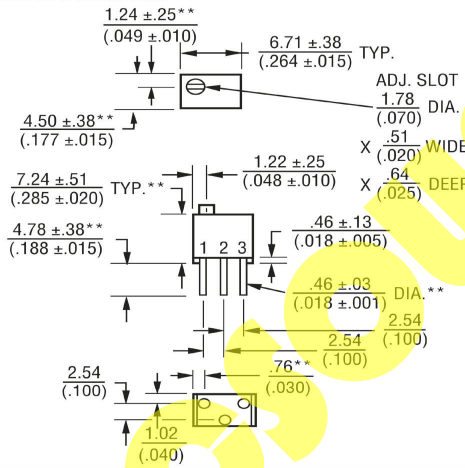
Physical Characteristics

Starting Torque: ≤30mN·m
Flammability: UL-94V-0
Marking: Resistance code, Model
Standard Packaging: 50pcs per tube

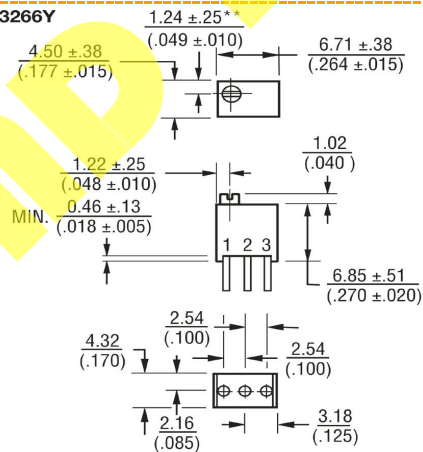


3266W

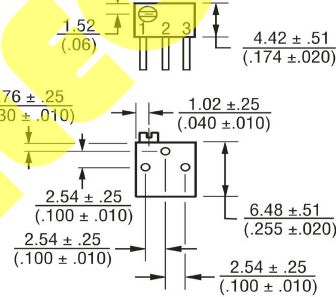
Common Dimensions



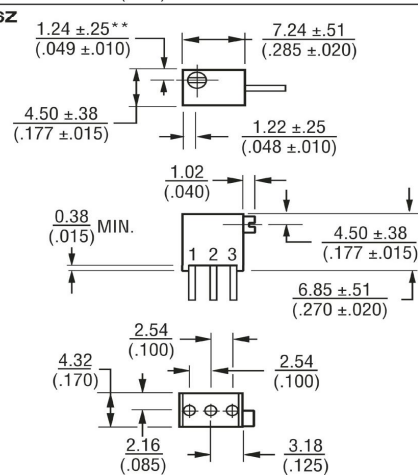
3266Y



3266P



3266Z



3266X

