

ET3309 Cermet Trimming Potentiometer

ELECSOUND®

Features:

Round/ Single-Turn/ Cermet/ Industrial
2 Terminal Styles
Rohs Compliant

Electrical Characteristics

Standard Resistance Range: 100Ω - 2MΩ
Resistance Tolerance: ±30% std.
Absolute Minimum Resistance: ≤1% max.
Contact Resistance Variation: ≤3% max.
Resistance: Essentially infinite
Adjustment Angle: 235° normal

Environmental Characteristics

Power Rating:(50VDC max)0.5W@70°C
Temperature Range: -30°C to +100°C
Temperature Coefficient: ±250ppm/°C
Load Life: 1000hours , 0.3W @70°C

How to order:

ET3309 W - 1 - 103

Model _____
Style _____
P = Top adjust
W = Single side (front) adjust
Rotor Style _____
-1 = Standard
Resistance Code _____

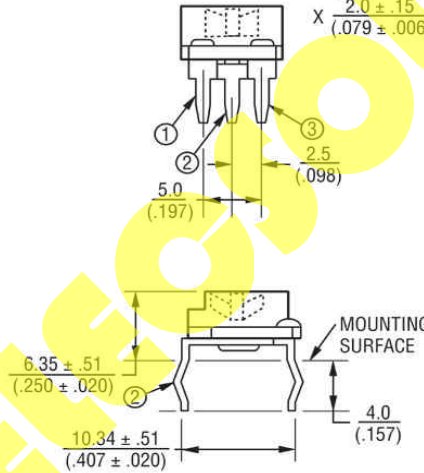
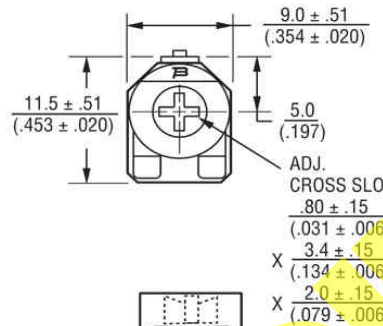
Standard Resistance Table:

Resistance (Ohms)	Resistance Code
100	101
200	201
500	501
1000	102
2000	202
5000	502
10000	103
20000	203
25000	253
50000	503
100000	104
200000	204
250000	254
500000	504
1000000	105
2000000	205

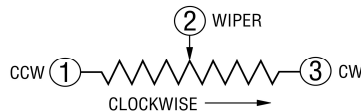
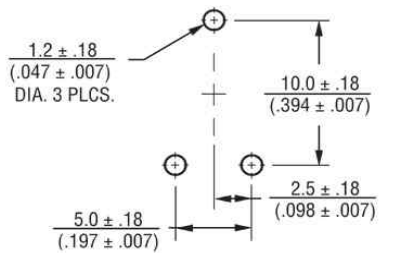
Physical Characteristics

Mechanical Angle: 260° ±10°
Operating Torque: ≤30mN·m
Terminals: Solderable pins
Marking: Resistance code
Standard Packaging: 200pcs per bag

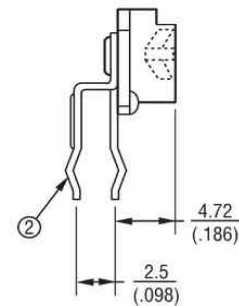
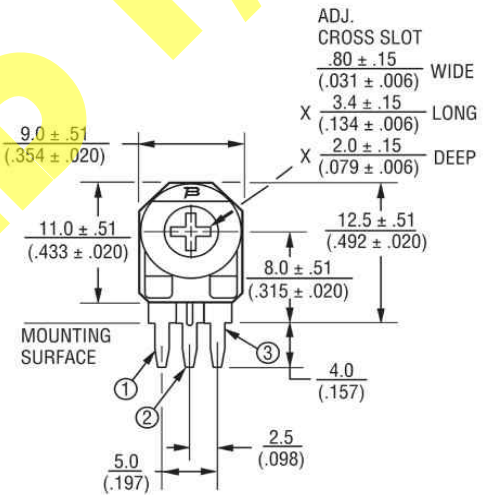
3309P-1 Top Adjust



SUGGESTED PWB LAYOUT



3309W-1 Single Side (Front) Adjust



SUGGESTED PWB LAYOUT

