

# Trimmer Capacitors

## EC11 3mm CHIP Ceramic Trimmer Capacitors

**ELECSOUND®**

Elecsound is a leading manufacturer of trimming potentiometers with more than 10 years experiences in manufacturer. Our factory is located in Chengdu, China. Our products include: 3006, 3262, 3266, 3269, 3296, 3299, 3303, 3306, 3309, 3318, 3323, 3329, 3362, 3386, 3540 and 3590.

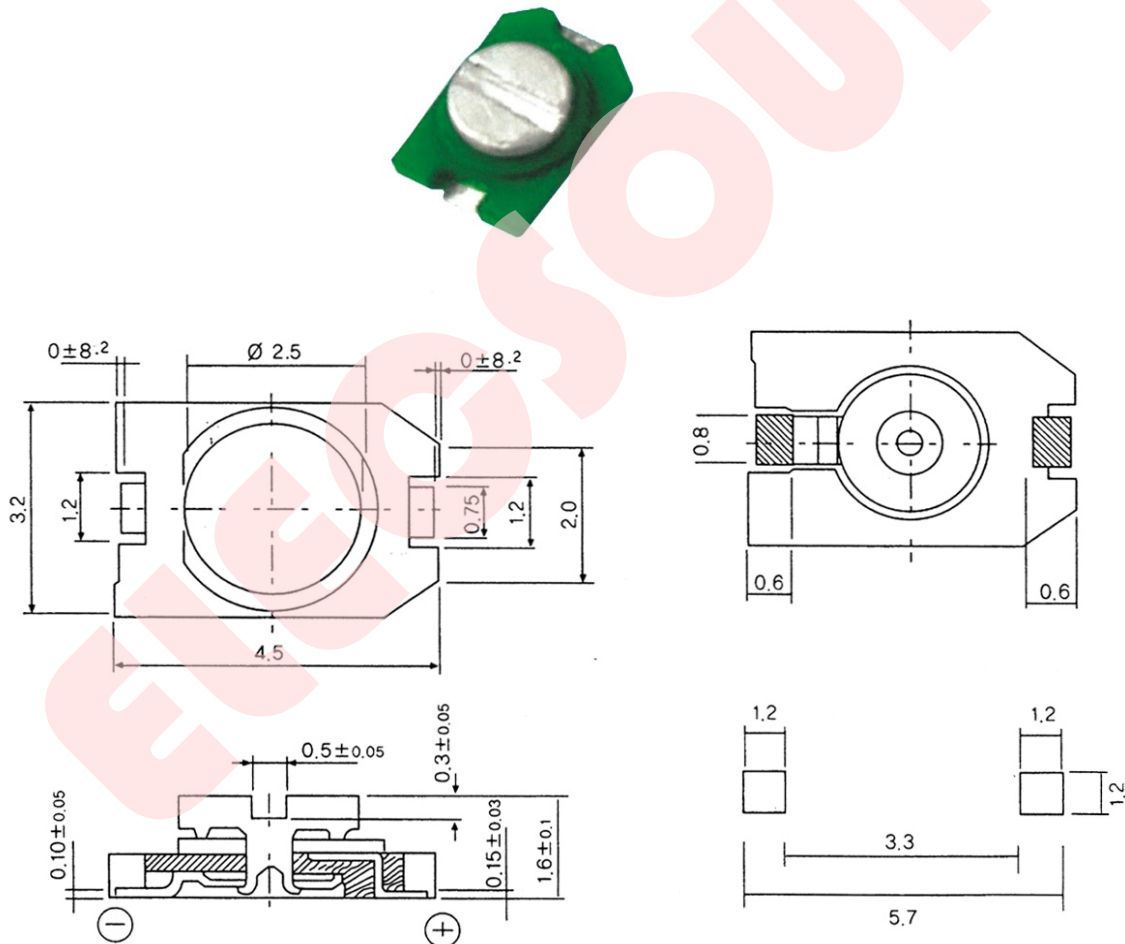
Single-Turn / Cermet / Industrial  
SMD Styles  
Rohs Compliant

Operating Temperature Range: -25°C to +85°C  
Rated Working Voltage: 100VDC  
Withstanding Voltage: 220VDC  
Insulation Resistance : 100000M ohm min  
Raotaion Torque: 25-100g·cm  
Soldering Temperature : 250±5°C

### Performance Parameters

| Part No.          | Mini. Capacitance(PF) | Max. Capacitance(PF) | Temperature Coefficient PPM/°C | Q Factor @ 1MHz Cmax |
|-------------------|-----------------------|----------------------|--------------------------------|----------------------|
| EC11A-030 (Brown) | 1.7PFmax              | 3.0PF +50% -0%       | NP 0 ± 300                     | >500                 |
| EC11A-060 (Blue)  | 2.5PF max             | 6.0PF +50% -0%       | NP 0 ± 300                     | >500                 |
| EC11A-100 (White) | 3.5PF max             | 10.0PF +50% -0%      | N 750 ± 300                    | >500                 |
| EC11A-200 (Red)   | 5.5PF max             | 20.0PF +50% -0%      | N 1200 ± 500                   | >300                 |
| EC11A-300 (Green) | 7.0PF max             | 30.0PF +50% -0%      | N 1800 ± 600                   | >300                 |

### Diameter And Size(Unit: mm)



## Elecsound Technology Company Limited

TEL: 0086-755-82908842

FAX: 0086-755-83045964

Website: [www.elecsound.com](http://www.elecsound.com)

Email: [sales@elecsound.com](mailto:sales@elecsound.com)