

Varistor (ZOV)

EV4 - 14mm Zinc Oxide Varistor

ELECSOUND®

Elecsound is a manufacturer of ZINC OXIDE VARISTOR. we offer 5mm, 7mm, 10mm, 14mm and 20mm dipped varistors.

Wide Operating voltage (V1mA) range from 18V~1800V

Withstanding Surge Current: 1000~6500A

Model Size: 14mm

Fast responding to transient over-voltage<25ns

Low Clamping ratio and no following-on current

Rohs Compliant

Transistor, Diode, IC, Thyristor or diac semiconductor protection

Surge protection in consumer electronics

Surge protection in industrial electronics

Surge protection in electronic home appliance, gas and petroleum.

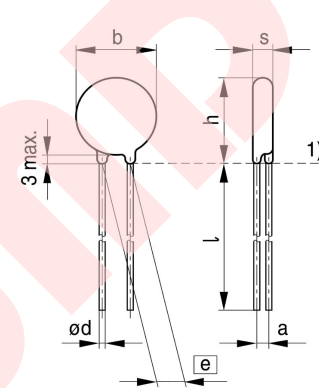
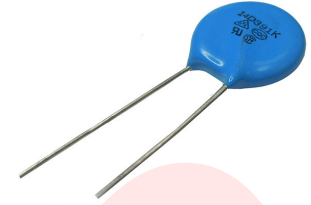
Relay and electromagnetic valve surge absorption

How To Order

EV4	14	D	471	K	T
MARKing	Chip Diameter	D: Disk	Voltage	Tolerance	Packing Style
	05 : 5mm	S: Square	471: 47x10 ¹	K=±10%	T: Tape
	07 : 7mm	E: Other		L=±15%	
	10 : 10mm				Nothing: bulk
	14 : 14mm				
20 : 20mm					

Diameter And Size(Unit: mm)

Voltage	B (Max.)	H (Max.)	L (Min.)	E ±1	ød (Max.)	S (Max.)
180K-680K	17	19	25	7.5	0.8	5.0
820K-201K	17	19	25	7.5	0.8	5.0
221K-331K	17	19	25	7.5	0.8	5.5
361K-471K	17	19	25	7.5	0.8	6.0
511K-561K	17	19	25	7.5	0.8	6.5
621K-681K	17	19	25	7.5	0.8	7.0
751K-821K	17	19	25	7.5	0.8	7.5
911K-122K	17	19	25	7.5	0.8	8.0
142K-162K	17	19	25	7.5	0.8	10.0
182K	17	19	25	7.5	0.8	12.0



Electrical Characteristics

Part number	Voltage at DC _{1mA} (25°C)	Max. Continuous Applied Voltage		Max. Voltage at Class Current Vc(V)	Class Current (8/20us) Ip(A)	Energy Surge (10/1000us) high(J)	Std. Energy (J)	Max. Peak Current (A)	Std. I (A)	Rated Power (W)	Typical Capatance @1KHz(pf)
		AC(V)	DC(V)								
EV4-14D180L	18(15-21.6)	11	14	38	10	5.2	3.2	2000	1000	0.1	18000
EV4-14D220K	22(19.5-24)	14	18	43	10	6.3	5.3	2000	1000	0.1	15000
EV4-14D270K	27(24-31)	17	22	53	10	7.8	6.5	2000	1000	0.1	10000
EV4-14D330K	33(29.5-36.5)	20	26	65	10	9.5	7.9	2000	1000	0.1	8500
EV4-14D390K	39(35-43)	25	31	77	10	11	9.4	2000	1000	0.1	7500
EV4-14D470K	47(42-52)	30	38	93	10	14	11	2000	1000	0.1	6500
EV4-14D560K	56(50-62)	35	45	110	10	16	13	2000	1000	0.1	5600
EV4-14D680K	68(61-75)	40	56	135	10	20	16	2000	1000	0.1	4700
EV4-14D820K	82(74-90)	50	65	135	50	28	20	6500	5000	0.6	3900
EV4-14D101K	100(90-110)	60	85	165	50	35	25	6500	5000	0.6	3400
EV4-14D121K	120(108-132)	75	100	200	50	42	30	6500	5000	0.6	3100
EV4-14D151K	150(135-165)	95	125	250	50	53	38	6500	5000	0.6	3000
EV4-14D181K	180(162-198)	115	150	300	50	65	42	6500	5000	0.6	1030
EV4-14D201K	200(180-225)	130	170	340	50	70	50	6500	5000	0.6	970
EV4-14D221K	220(198-242)	140	180	360	50	78	55	6500	5000	0.6	840
EV4-14D241K	240(216-264)	150	200	395	50	84	60	6500	5000	0.6	710
EV4-14D271K	270(243-297)	175	225	455	50	99	70	6500	5000	0.6	650
EV4-14D301K	300(270-330)	195	250	505	50	108	78	6500	5000	0.6	600
EV4-14D331K	330(297-363)	210	275	550	50	115	80	6500	5000	0.6	550
EV4-14D361K	360(324-396)	230	300	595	50	130	90	6500	5000	0.6	500
EV4-14D391K	390(351-429)	250	320	650	50	140	100	6500	5000	0.6	480
EV4-14D431K	430(387-473)	275	350	710	50	155	110	6500	5000	0.6	440
EV4-14D471K	470(423-517)	300	385	775	50	175	120	6500	5000	0.6	420
EV4-14D511K	510(459-561)	320	418	842	50	190	136	6500	5000	0.6	390
EV4-14D561K	560(504-616)	350	460	920	50	192	138	6500	5000	0.6	360
EV4-14D621K	620(558-682)	385	510	1025	50	195	140	6500	5000	0.6	320
EV4-14D681K	680(612-748)	420	560	1120	50	200	145	6500	5000	0.6	290
EV4-14D751K	750(675-825)	460	615	1240	50	210	150	6500	5000	0.6	260
EV4-14D781K	780(702-858)	485	640	1290	50	225	160	6500	5000	0.6	230
EV4-14D821K	820(738-902)	510	670	1335	50	235	165	6500	5000	0.6	230
EV4-14D911K	910(819-1002)	550	745	1500	50	155	180	6500	5000	0.6	200
EV4-14D951K	950(855-1045)	575	765	1580	50	270	190	6500	5000	0.6	190
EV4-14D102K	1000(900-1102)	625	825	1650	50	280	200	6500	5000	0.6	180
EV4-14D112K	1100(990-1212)	680	895	1815	50	310	220	6500	5000	0.6	150
EV4-14D182K	1800(1620-1982)	1000	1465	2970	50	510	360	6500	5000	0.6	120

Elecsound Technology Company Limited

TEL: 0086-755-82908842

FAX: 0086-755-83045964

Website: www.elecsound.com

Email: sales@elecsound.com