

Varistor (ZOV)

EV9 - 53mm Zinc Oxide Varistor

ELECSOUND®

Elecsound is a manufacturer of ZINC OXIDE VARISTOR. we offer 5mm, 7mm, 10mm, 14mm and 20mm dipped varistors.

Wide Operating voltage (V_{1mA}) range from 33V~1800V
 Withstanding Surge Current: 20000~70000A
 Large absorbing transient energy capability
 Fast responding to transient over-voltage
 Low Clamping ratio and no following-on current
 Rohs Compliant

Transistor, Diode, IC, Thyristor or diac semiconductor protection
 Surge protection in consumer electronics
 Surge protection in industrial electronics
 Surge protection in electronic home appliance, gas and petroleum.
 Relay and electromagnetic valve surge absorption

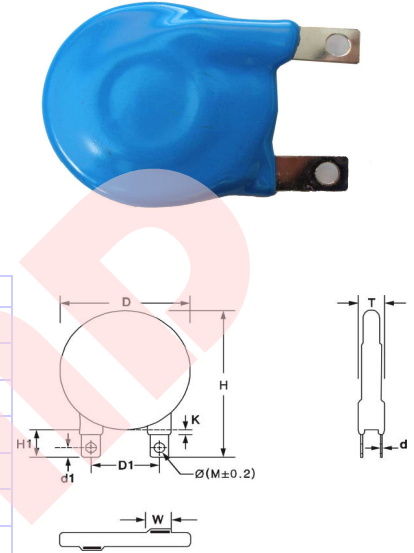
How To Order

EV9	53	D	471	K	T
MARKing	Chip Diameter	D: Disk	Voltage	Tolerance	Packing Style
	20 : 20mm	S: Square	471= 47x10 ¹	K=±10%	T: Tape
	25 : 25mm	E: Other		L=±15%	
	32 : 32mm				Nothing: bulk
	40 : 40mm				
53 : 53mm					

Diameter And Size(Unit: mm)

Voltage	D (Max.)	H (Max.)	H1 (Min.)	D1 ±1	W (Max.)	T (Max.)
201K-271K	58	78	18	25.4	10	11
301K-621K	58	78	18	25.4	10	12
681K-911K	58	78	18	25.4	10	13.0
951K-122K	58	78	18	25.4	10	14.0
142K	58	78	18	25.4	10	15.0
162K	58	78	18	25.4	10	16.0
182K	58	78	18	25.4	10	18.0

øM=4



Electrical Characteristics

Part number	Voltage at DC _{1mA} (25°C)	Max. Continuous Applied Voltage		Max. Voltage at Class Current Vc(V)	Class Current (8/20us) Ip(A)	Energy Surge (10/1000us) Std. (J)	Max. Peak Current (A)	Std. I (A)	Typical Capactance @1KHz(pf)
		AC(V)	DC(V)						
EV9-53D201K	200(180-225)	130	170	340	500	490	70000	50000	3640
EV9-53D221K	220(198-242)	140	180	360	500	530	70000	50000	3360
EV9-53D241K	240(216-264)	150	200	395	500	570	70000	50000	3080
EV9-53D271K	270(243-297)	175	225	455	500	630	70000	50000	2800
EV9-53D301K	300(270-330)	195	250	505	500	680	70000	50000	2500
EV9-53D331K	330(297-363)	210	275	550	500	700	70000	50000	2400
EV9-53D361K	360(324-396)	230	300	595	500	780	70000	50000	2240
EV9-53D391K	390(351-429)	250	320	650	500	880	70000	50000	2000
EV9-53D431K	430(387-473)	275	350	710	500	950	70000	50000	1800
EV9-53D471K	470(423-517)	300	385	775	500	1000	70000	50000	1600
EV9-53D511K	510(459-561)	320	418	842	500	1100	70000	50000	1500
EV9-53D561K	560(504-616)	350	460	920	500	1150	70000	50000	1400
EV9-53D621K	620(558-682)	385	510	1025	500	1200	70000	50000	1120
EV9-53D681K	680(612-748)	420	560	1120	500	1500	70000	50000	1050
EV9-53D751K	750(675-825)	460	615	1240	500	1600	70000	50000	1000
EV9-53D781K	780(702-858)	485	640	1290	500	1700	70000	50000	950
EV9-53D821K	820(738-902)	510	670	1335	500	1800	70000	50000	890
EV9-53D911K	910(819-1002)	510	670	1335	500	2000	70000	50000	840
EV9-53D951K	950(855-1045)	510	670	1335	500	2200	70000	50000	780
EV9-53D102K	1000(900-1102)	625	825	1650	500	2500	70000	50000	730
EV9-53D112K	1100(990-1212)	680	895	1815	500	2550	70000	50000	690
EV9-53D122K	1200(1080-1320)	750	980	1980	500	2600	70000	50000	670
EV9-53D142K	1400(1278-1540)	870	1160	2370	500	3050	70000	50000	660
EV9-53D162K	1600(1440-1764)	1000	1200	2700	500	3550	70000	50000	560
EV9-53D182K	1800(1620-1982)	1200	1465	2970	500	3950	70000	50000	520

Elecsound Technology Company Limited

TEL: 0086-755-82908842

FAX: 0086-755-83045964

Website: www.elecsound.com

Email: sales@elecsound.com