

TD-01EA SERIES

MODEL NO.	Stem Length	Tape & Reel Option
TD-01EA	8mm	No
TD-01EB	10mm	Yes

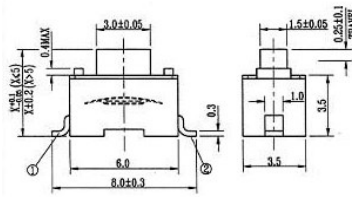
CODE	OPERATING FORCE(gf)
T	100 ± 30
V	130 ± 30
X	160 ± 50
W	170 ± 50
Y	190 ± 50
Z	250 ± 100

CIRCUIT DIAGRAM

SPECIFICATIONS



- RATING : DC 12V 50mA
- TRAVEL : 0.25 ± 0.1mm
- CONTACT RESISTANCE 100 mΩ MAX



TD-02XB SERIES

MODEL NO.	Stem Length	Guide Pin	Tape & Reel Option
TD-02XB	4.3mm	No	Yes
TD-02XA	5mm	No	Yes
TD-02XC	8mm	No	No
TD-02EB	4.3mm	Yes	Yes
TD-02EA	5mm	Yes	Yes
TD-02EC	8mm	Yes	No

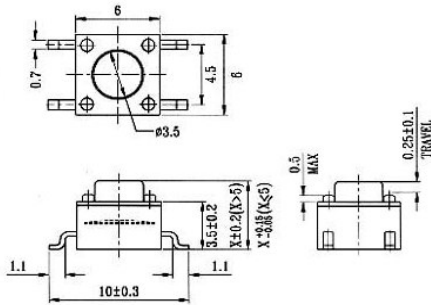
CODE	OPERATING FORCE(gf)
y	180 ± 50
z	250 ± 100

CIRCUIT DIAGRAM

SPECIFICATIONS



- RATING : DC 12V 50mA
- TRAVEL : 0.25 ± 0.1mm
- CONTACT RESISTANCE 100 mΩ MAX



TD-03XG SERIES

MODEL NO.	Stem Length	Tape & Reel Option
TD-03XG	4.3mm	Yes
TD-03XA	5mm	Yes
TD-03XB	7mm	Yes
TD-03XC	7.3mm	No
TD-03XD	8mm	No
TD-03XE	9.5mm	No
TD-03XF	12.5mm	No

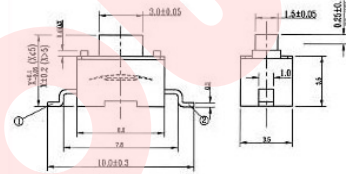
CODE	OPERATING FORCE(gf)
T	100 ± 30
V	130 ± 30
X	160 ± 50
W	170 ± 50
Y	190 ± 50
Z	250 ± 100

CIRCUIT DIAGRAM

SPECIFICATIONS



- RATING : DC 12V 50mA
- TRAVEL : 0.25 ± 0.1mm
- CONTACT RESISTANCE 100 mΩ MAX



TD-05XB SERIES

MODEL NO.	Stem Length(mm)	Guide Pin	Tape & Reel Option
TD-05XB	4.3	No	Yes
TD-05XA	5	No	Yes
TD-05XC	8	No	No
TD-05EB	4.3	Yes	Yes
TD-05EA	5	Yes	Yes
TD-05EC	8	Yes	No

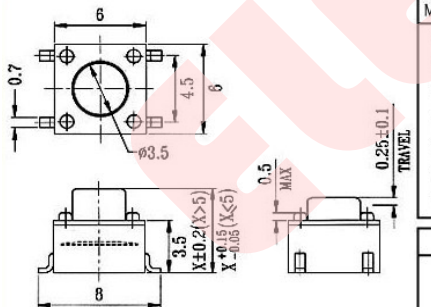
CODE	OPERATING FORCE(gf)
y	180 ± 50
z	250 ± 50

CIRCUIT DIAGRAM

SPECIFICATIONS



- RATING : DC 12V 50mA
- TRAVEL : 0.25 ± 0.1mm
- CONTACT RESISTANCE 100 mΩ MAX



TD-06XG SERIES

MODEL NO.	Stem Length(mm)	Tape & Reel Option
TD-06XG	4.3	Yes
TD-06XA	5	Yes
TD-06XB	7	No
TD-06XC	7.3	No
TD-06XD	8	No
TD-06XE	9.5	No
TD-06XF	12.5	No

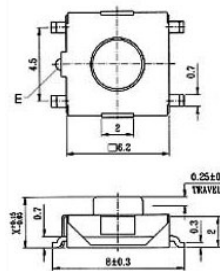
CODE	OPERATING FORCE(gf)
T	100 ± 30
V	130 ± 30
X	160 ± 50
W	170 ± 50
Y	190 ± 50
Z	250 ± 100

CIRCUIT DIAGRAM

SPECIFICATIONS



- RATING : DC 12V 50mA
- TRAVEL : 0.25 ± 0.1mm
- CONTACT RESISTANCE 100 mΩ MAX



TD-07XB SERIES

MODEL NO.	Stem Length(mm)	Ground Terminal	Tape & Reel Option
TD-07XB	2.5	Yes	Yes
TD-07XA	3.1	Yes	Yes
TD-07XC	5.4	Yes	No
TD-07XD	8.0	Yes	No
TD-08XB	2.5	No	Yes
TD-08XA	3.1	No	Yes
TD-08XC	5.4	No	No
TD-08XD	8.0	No	No

CODE	OPERATING FORCE(gf)
T	100 ± 30
V	130 ± 30
X	160 ± 50
W	170 ± 50
Y	190 ± 50
Z	250 ± 100

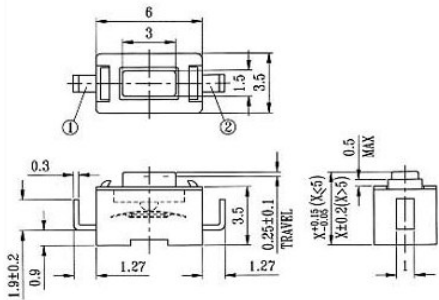
CIRCUIT DIAGRAM

SPECIFICATIONS



- RATING : DC 12V 50mA
- TRAVEL : 0.25 ± 0.1mm
- CONTACT RESISTANCE 100 mΩ MAX

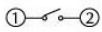
TD-09XB SERIES



MODEL NO.	Stem Length	Guide Pin
TD-09XB	4.3mm	No
TD-09XA	5.0mm	No
TD-09XC	8.0mm	No
TD-09EB	4.3mm	Yes
TD-09EA	5.0mm	Yes
TD-09EC	8.0mm	Yes

CODE	OPERATING FORCE(gf)
Y	180 ± 50
Z	250 ± 100

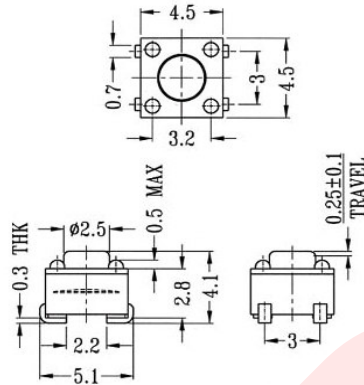
CIRCUIT DIAGRAM



SPECIFICATIONS

- RATING : DC 12V 50mA
- TRAVEL : 0.25 ± 0.1mm
- CONTACT RESISTANCE 100 mΩ MAX

TD-10UA



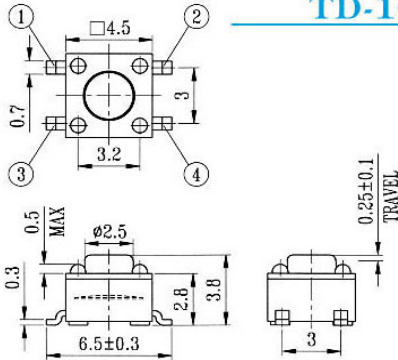
CIRCUIT DIAGRAM



SPECIFICATIONS

Rating : 50mA 12V DC

TD-10XA



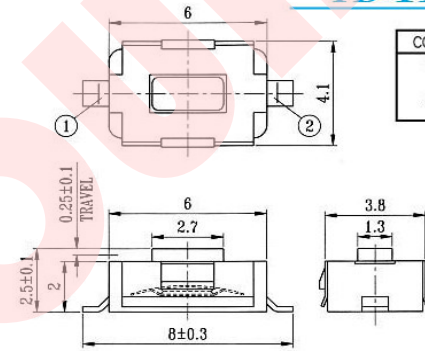
CIRCUIT DIAGRAM



SPECIFICATIONS

- RATING : DC 12V 50mA
- TRAVEL : 0.25 ± 0.1mm
- CONTACT RESISTANCE 100 mΩ MAX
- STEM LENGTH: 3.8mm
- TAPE & REEL OPTION : YES
- OPERATING FORCE 250 ± 50

TD-11XA SERIES



CIRCUIT DIAGRAM



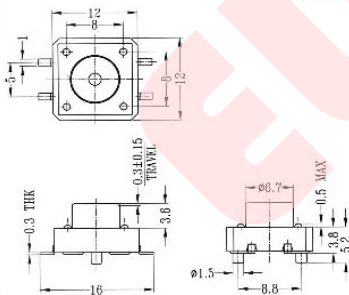
SPECIFICATIONS

- RATING : DC 12V 50mA
- TRAVEL : 0.25 ± 0.1mm
- CONTACT RESISTANCE 100 mΩ MAX
- OPTIONAL TAPE & REEL PACKING AVAILABLE

CODE	OPERATING FORCE(gf)
Y	180gf ± 50
Z	250gf ± 100

TD-12EA (WITH EMBOSING) TD-12XA (WITHOUT EMBOSING)

SERIES



CODE	OPERATING FORCE(gf)
X	160gf
Z	250gf

COVER TYPE	CODE
PLASTIC	A01
METAL	A00

CIRCUIT DIAGRAM

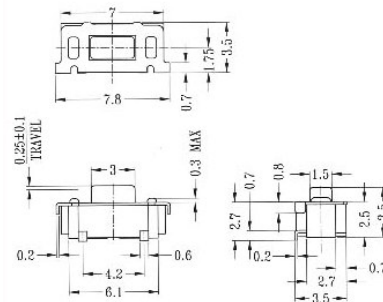


SPECIFICATIONS

- RATING : DC 12V 50mA
- TRAVEL : 0.3 ± 0.15mm
- CONTACT RESISTANCE 100 mΩ MAX
- LIFE: 100,000 cycles min
- OPERATING FORCE 160 ± 50gf

TD-15XA SERIES

TD-15EA SERIES



CIRCUIT DIAGRAM



SPECIFICATIONS

- RATING : DC 12V 50mA
- TRAVEL : 0.25 ± 0.1mm
- CONTACT RESISTANCE 100 mΩ MAX
- TAPE & REEL OPTION: YES

CODE	OPERATING FORCE(gf)
Y	180 ± 50
Z	250 ± 100